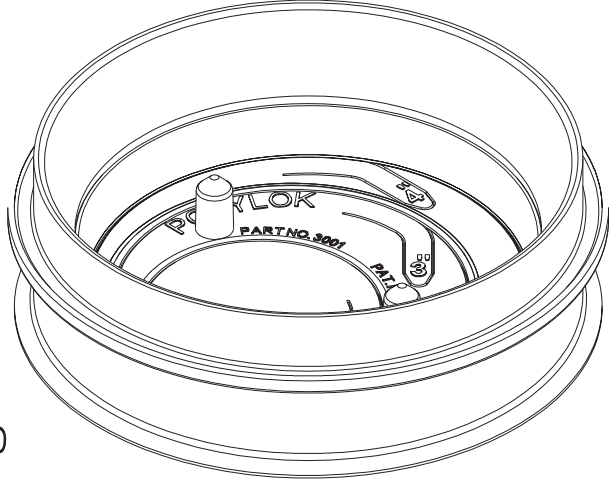


SECTION A-A



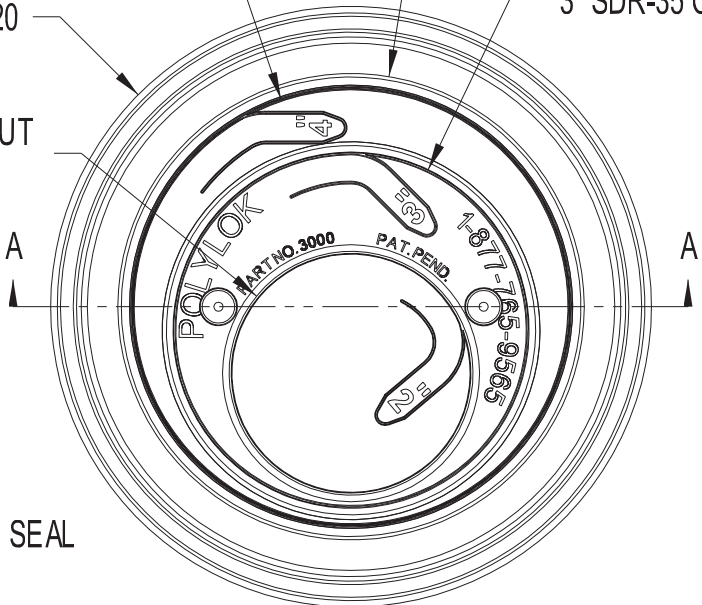
Ø 4.031 TEAR OUT FOR 4" SDR 35 OR SCHD-40

Ø 4.285 TEAR OUT FOR 4" CORROGATED

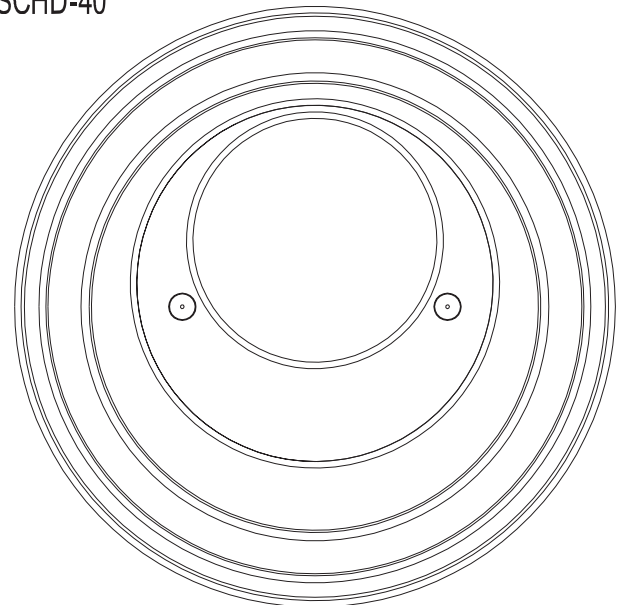
Ø 3.273 TEAR OUT FOR 3" SDR-35 OR SCHD-40

Ø 5.520

Ø 2.241 TEAR OUT FOR 2" SCHD-40



FRONT VIEW



BACK VIEW

POLYLOK TYPE I SEAL
PART NO. - 3000
MATERIAL - LLDPE